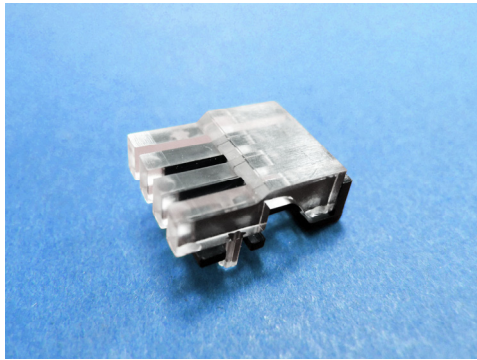


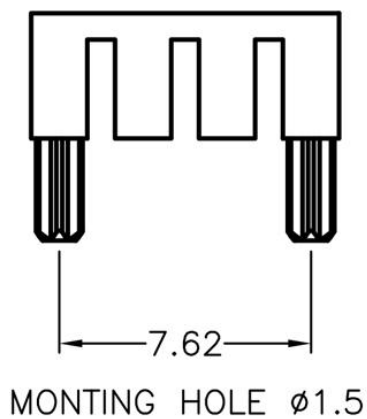
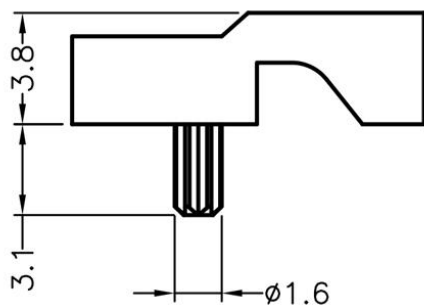
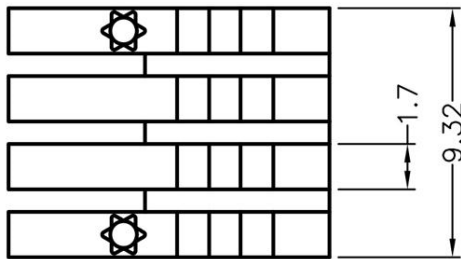
LED导光柱 LED PIPE



用途：使 LED 导光于机壳面板上，使光度均匀、柔和。

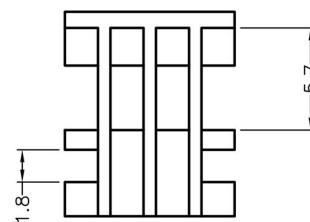
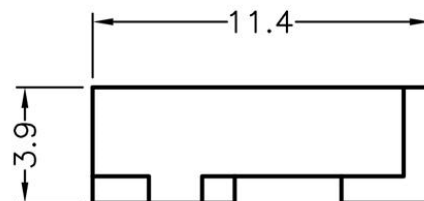
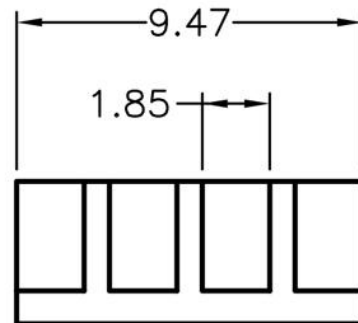
MATERIAL 1: PMMA(UL)
 FLAME CLASS 1: 94HB
 COLOR 1: TRANSPARENT
 MATERIAL 2: PC(UL)
 FLAME CLASS 2: 94V-0
 COLOR 2: TRANSPARENT
 UNIT: mm

2



LED导光柱-遮光罩

MATERIAL 1: PC(UL)
 FLAME CLASS 1: 94V-2
 COLOR 1: BLACK
 UNIT: mm



PART NO	PACKAGE
LEDLP-154	2000

PART NO	PACKAGE
LEDLP-155	2000