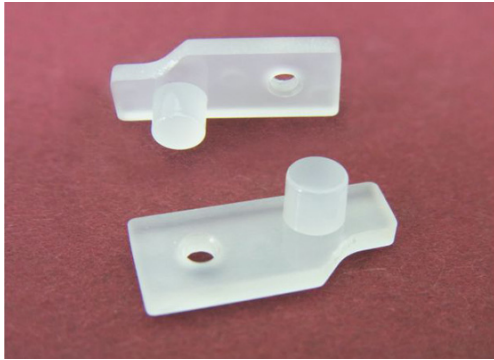


# LED导光柱 LED PIPE

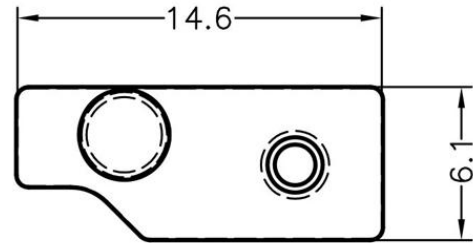
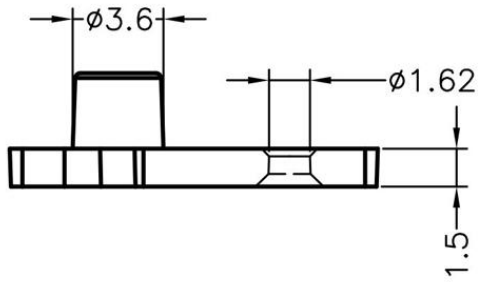


用途：使LED导光于机壳面板上，使光度均匀、柔和。

MATERIAL : PMMA

COLOR : TRANSPARENT

UNIT : mm



PART NO	PACKAGE
LEDLP-010	500

2

# LED导光柱 LED PIPE



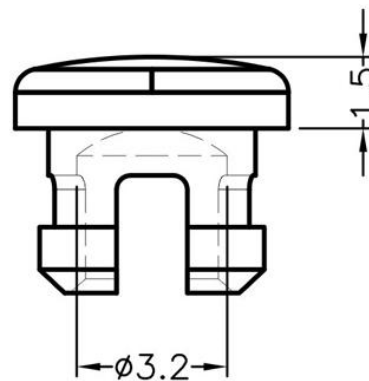
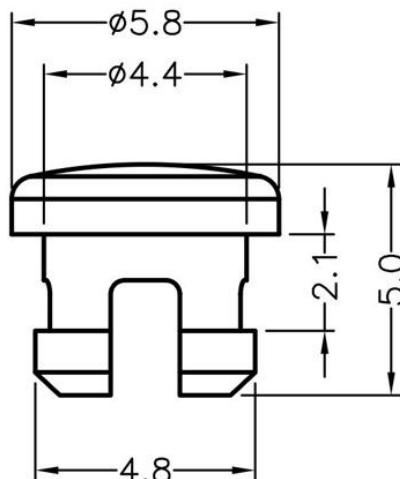
用途：使LED导光于机壳面板上，使光度均匀、柔和

MATERIAL : PC(UL)

FLAME CLASS : 94V-0,94V-2

COLOR : TRANSPARENT

UNIT : mm



CHASSIS  $\phi 4.6$   
THICKNESS 2.0

PART NO	PACKAGE
LEDLP-011	500